

# Connections

## Ethernet

RJ45 Ethernet In and Out. Power over ethernet supported on Ethernet In.

No power over ethernet on Ethernet Out.

## RS-422

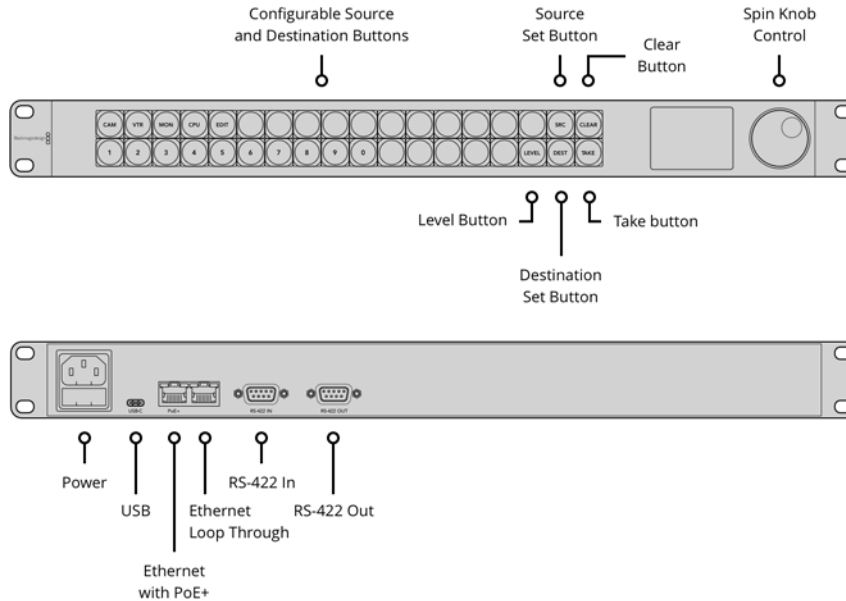
In and Out (for future implementation)

## Computer Interface

USB-C for configuration and software updates.

## Power

100 - 240 AC



---

## Hardware Control

21 assignable buttons with scroll wheel for fast selection of source and destination. LCD information screen.

---

## Internal Software

Internal Software upgrade via included firmware updater application via USB or ethernet.

---

## Operating Systems



Mac 10.13 High Sierra,  
Mac 10.14 Mojave or later.



Windows 10.

---

## Physical Installation

1 rack unit size. Less than 3 inches deep.

---

## Button Configuration

Included free for Windows™ and Mac™ via USB 2.0 high speed (480Mb/s) interface.

---

## Power Requirements

### Power Fail Requirements

Button configurations and router communication preserved and restored instantly at power on. Button configuration can also be saved for later recall.

### Power Supply

Internal 100 - 240 V AC

## Warranty

12 Months Limited Warranty.

All items on this website are copyright Blackmagic Design Pty. Ltd. 2019, all rights reserved.

All trademarks are property of their respective owners. MSRP excludes VAT/duties and shipping costs.

This website uses remarketing services to advertise on third party websites to previous visitors to our site.

You can opt out at any time by changing cookie settings. [Privacy Policy](#)

Blackmagic Design Authorized Reseller